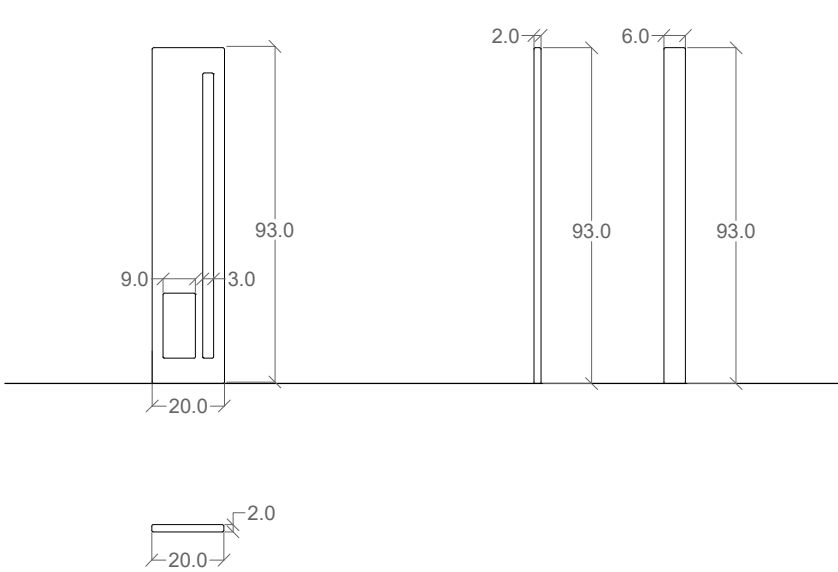
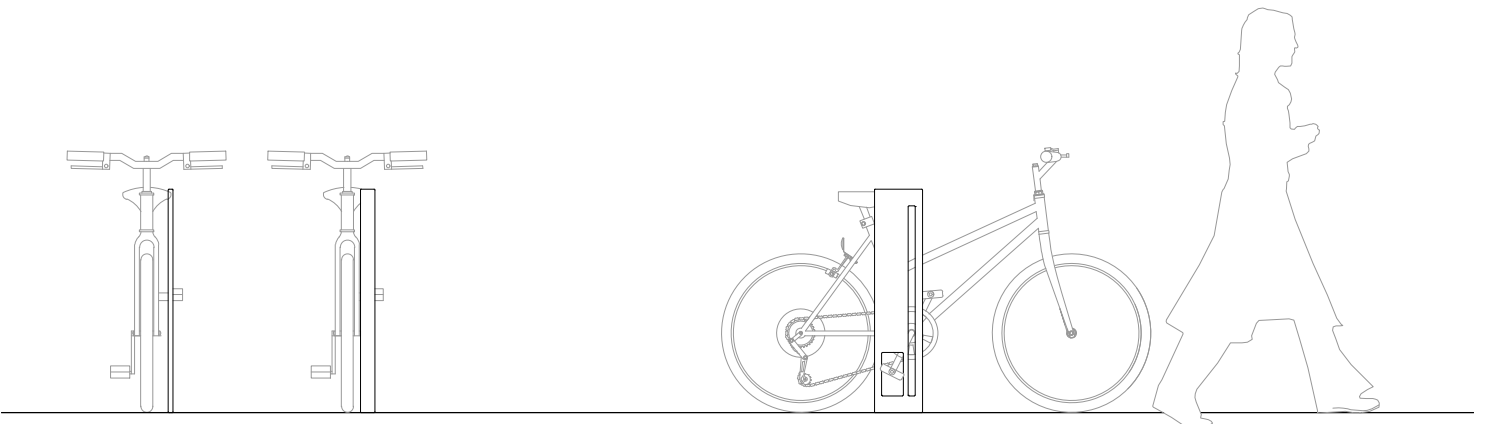


Technical specifications



Measurements in centimeters (cm)



Available materials and finishes

A. Zinc-plated steel

Made of 4 mm thick galvanized steel sheet metal.

- White
- Metallic gray

*Other colors upon request

B. Corten steel

Made of 2 cm thick corten steel sheet metal.

- Corten steel

C. Concrete

Piece made of concrete, reinforced with steel rods, which gives it great rigidity.

- Gray
- White
- Black

*Otros colores bajo consulta

Fixation

Fixing using stainless steel threaded rods or expansion screws in compact pavements.