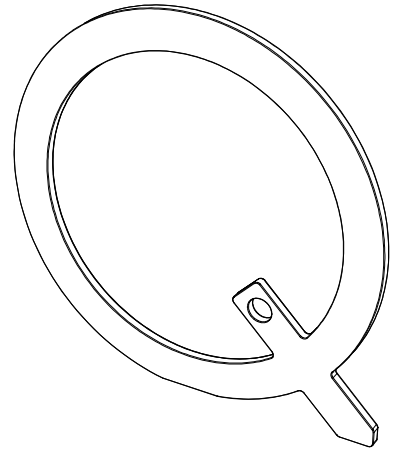
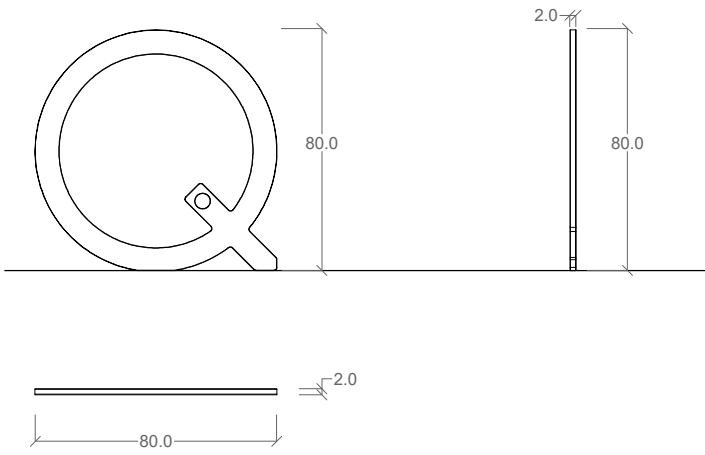
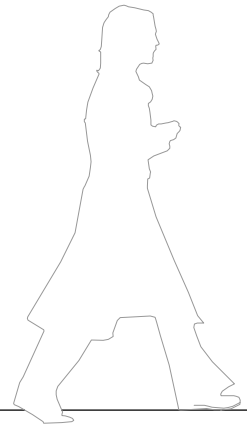
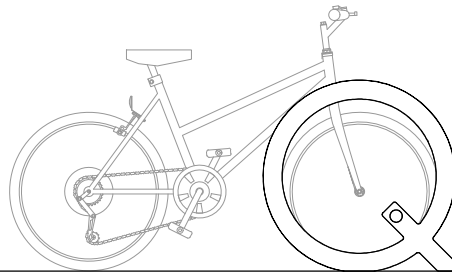
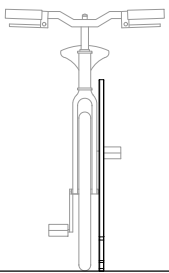


Technical specifications



Measurements in centimeters (cm)



Available materials and finishes

A. Zinc-plated steel

Made of 4 mm thick galvanized steel sheet metal.

- White
- Metallic gray

\*Other colors upon request

B. Stainless steel

Made of 3 mm thick stainless steel sheet metal.

- Metallic gray

\*Other colors upon request

Fixation

Fixing using stainless steel threaded rods or expansion screws in compact pavements.