

BICYCLE RACK

Q





BICYCLE RACK Q

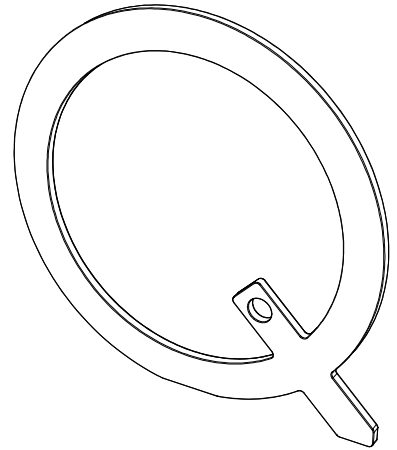
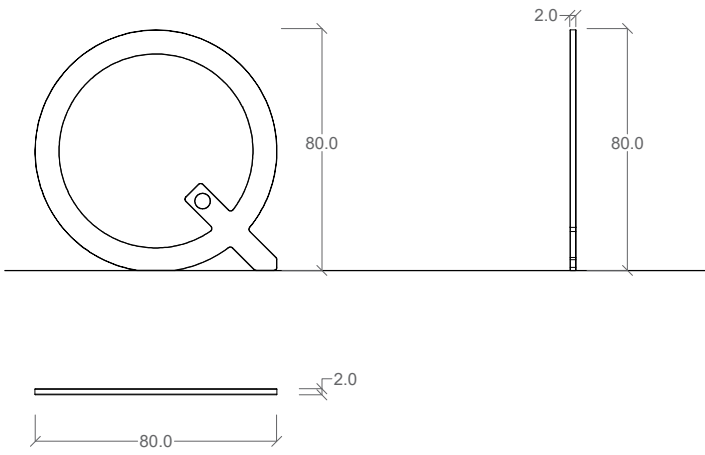
Large-format bike rack, designed to easily adapt to all types of bikes and offer multiple support points. Its distinctive shape allows for multi-point support of the frame, improving stability during parking and facilitating its use in diverse urban environments.

The Q design incorporates two strategic openings: a large main opening, which allows the frame to be tied down or the pedals to be inserted inside for a more secure hold; and a secondary opening, located at the end of the shape, ideal for smaller locks or for securing the bicycle at several points, thus reinforcing protection against theft.

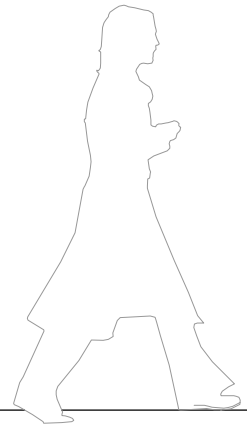
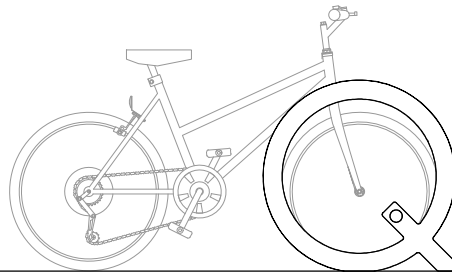
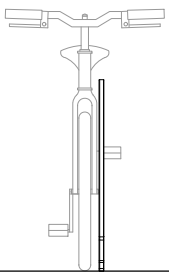
Q is a robust, functional, and expressive piece of street furniture that combines visual presence and versatility in a single formal gesture.



Technical specifications



Measurements in centimeters (cm)



Available materials and finishes

A. Zinc-plated steel

Made of 4 mm thick galvanized steel sheet metal.

- White
- Metallic gray

*Other colors upon request

B. Stainless steel

Made of 3 mm thick stainless steel sheet metal.

- Metallic gray

*Other colors upon request

Fixation

Fixing using stainless steel threaded rods or expansion screws in compact pavements.

For more information about our urban furniture:

www.qzurbanfurniture.com

For more information about our architecture:

www.eminguez.com



QZ Urban Furniture reserves the right to change details of these specifications and equipment without prior notice. These details are subject to change according to country conditions and requirements. Please check with the team for details regarding any changes.

Note: The pieces shown and the technical specifications given in this catalogue may differ from the models and equipment available at the time of manufacture. Colours may vary slightly from the catalogue photos.

For more information, please visit our website: www.qzurbanfurniture.com

Caring for the environment is a priority for QZ Urban Furniture. We take many steps to ensure that during the creation of our products, from design, production, distribution, sales and end of life, we minimise their environmental impact. It will be a pleasure for the whole team to provide you with information about the importance of the environment to all of us.

QZ
URBAN FURNITURE