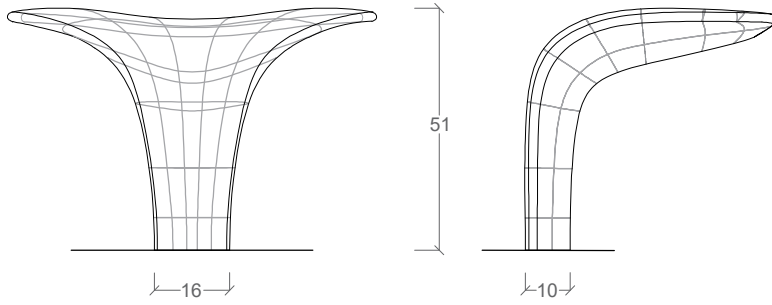
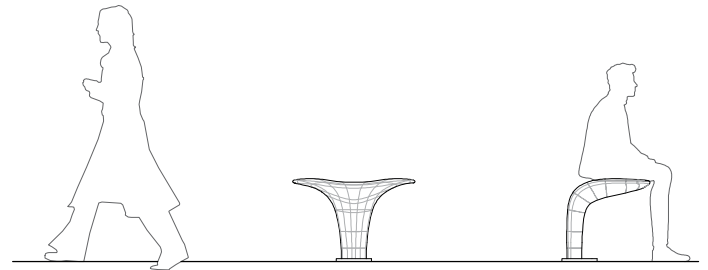
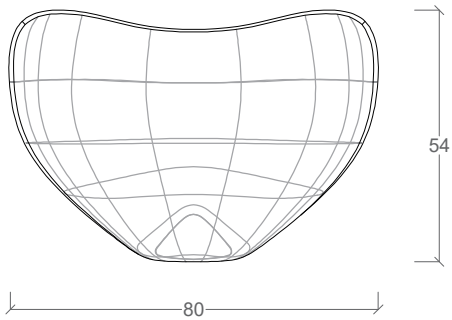


## Technical Specifications



Individual seat that joined together allows the composition of lines of benches or groups.

Its minimalist modern and functional design has been reduced to the minimum expression: a single support.



Measurements in centimeters (cm)

### Available materials and finishes

#### A. Fiberglass

Painted fiberglass with a thickness between 8 and 14 mm.  
Interior reinforced with high density compact laminated wood frame.

Gloss White\*

Any Colour

\*Gelcoat finish

#### B. Concrete

Made in concrete, reinforced with fibers of very high performance and great plasticity, which gives it a great rigidity.

White

Grey

Black

\*Others colours under request

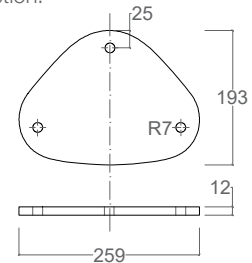
### Fixtures

The base of the piece is triangular in shape and with a maximum side of 160 mm, it is supported or recessed to the floor by an AISI 304 stainless steel anchor plate, satin finish.

#### A. Surface plate

Plate of 12 mm thick with a triangular shape.

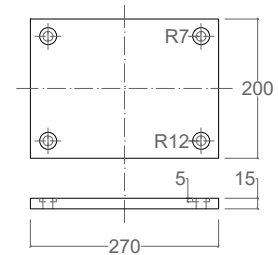
Anchored to the pavement thanks to three screws with antioxidant protection.



#### B. Embedded plate

Plate with rectangular shape with dimensions 270x200x15 mm.

Fixed with four screws to a plate under the pavement



Measurements in millimeters (mm)