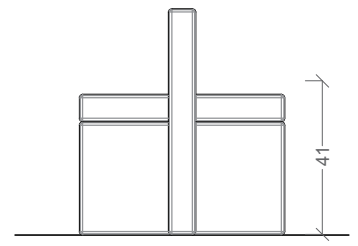
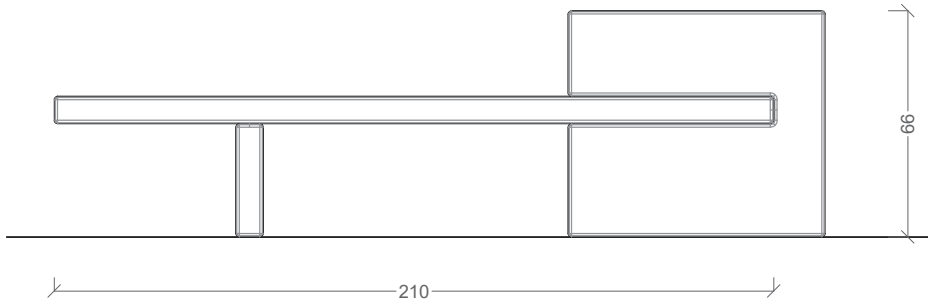
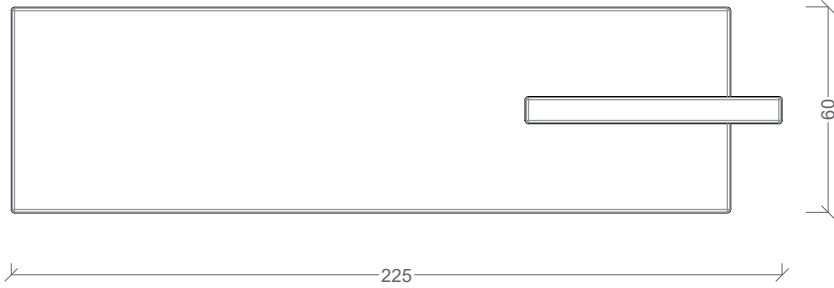


Technical Specifications



Measurements in centimetres (cm)



The creation of the bench will depend on the buyer's choice, as the versatility it has is tremendously wide in terms of shapes and materials.

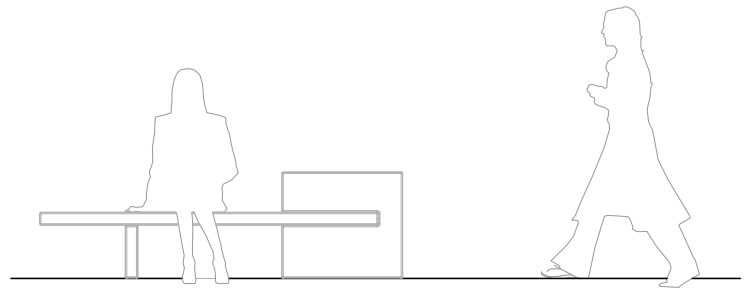
Thanks to the fine, straight lines, in any of the options chosen, the result is a sober bench, with pure lines and which will transmit the feelings intended by the buyer thanks to the choice of material on both sides of the piece in this sinuous bench.

Materials and finishes available

A. Natural stone

Can be made in any natural stone. We recommend to work with national stones because of its disposition and to support the local product. Also a dark stone as the design is challenging and a dark colour stands out more with this idea.

-  Sierra Elvira
-  Arival
-  Verde Almería
-  Piedra del cabeza






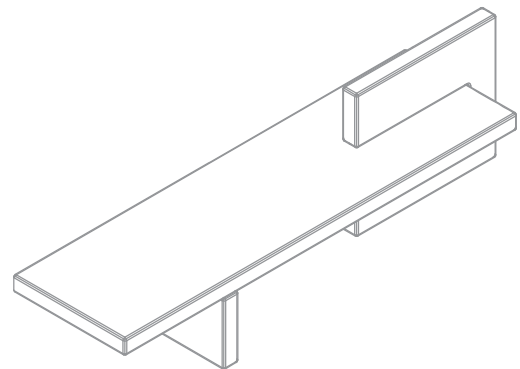
B. Concrete

Made in concrete, reinforced with fibers of very high performance and great plasticity, which gives it a great rigidity.

-  Grey
-  White

C. Plexiglás

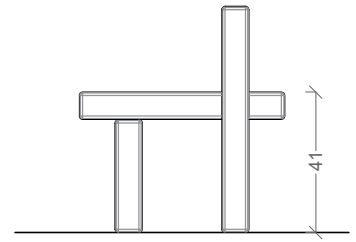
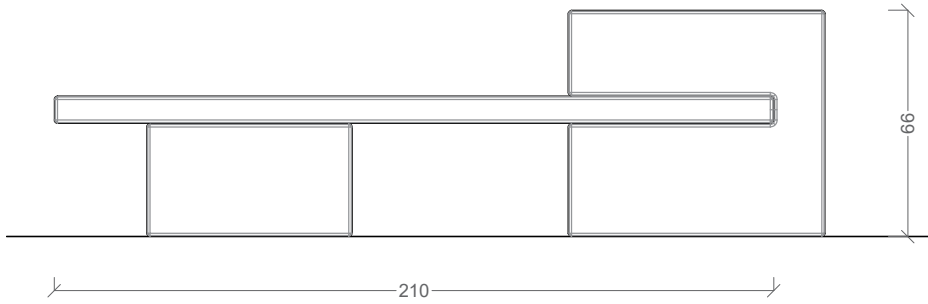
-  Red
-  Yellow
-  Blue



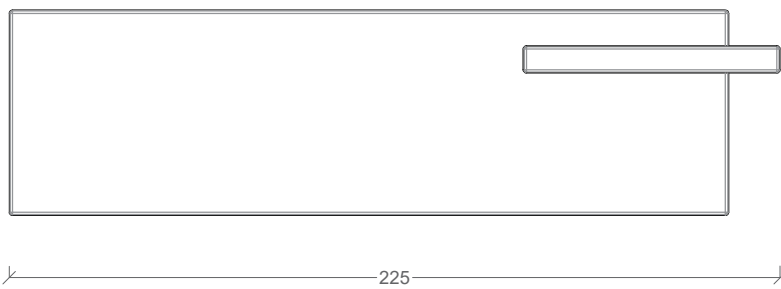
Fixtures

By means of a stainless steel threaded rod to the floor.

Technical Specifications



Measurements in centimetres (cm)




The creation of the bench will depend on the buyer's choice, as the versatility it has is tremendously wide in terms of shapes and materials.

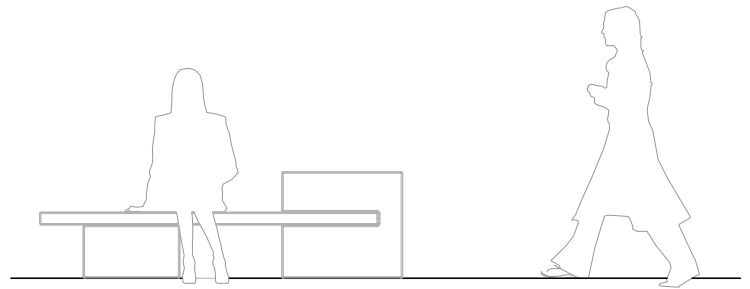
Thanks to the fine, straight lines, in any of the options chosen, the result is a sober bench, with pure lines and which will transmit the feelings intended by the buyer thanks to the choice of material on both sides of the piece in this sinuous bench.

Materials and finishes available

A. Natural stone

Can be made in any natural stone. We recommend to work with national stones because of its disposition and to support the local product. Also a dark stone as the design is challenging and a dark colour stands out more with this idea.

-  Sierra Elvira
-  Arival
-  Verde Almería
-  Piedra del cabezo






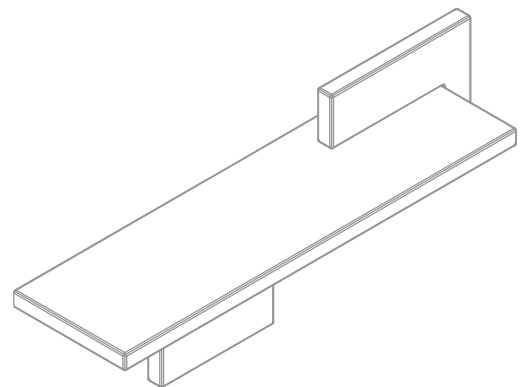
B. Concrete

Made in concrete, reinforced with fibers of very high performance and great plasticity, which gives it a great rigidity.

-  Grey
-  White

C. Plexiglás

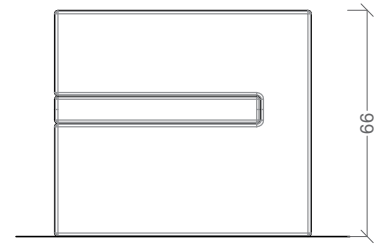
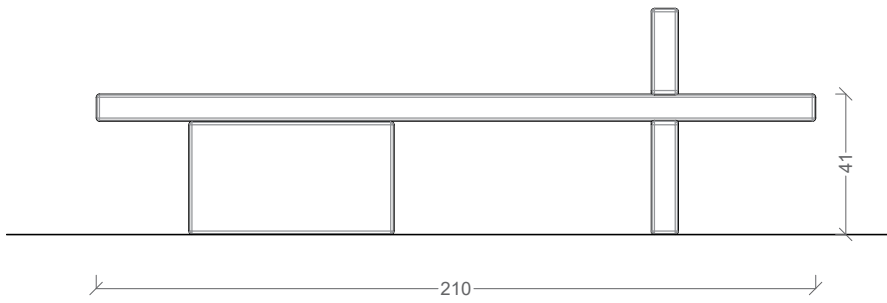
-  Red
-  Yellow
-  Blue



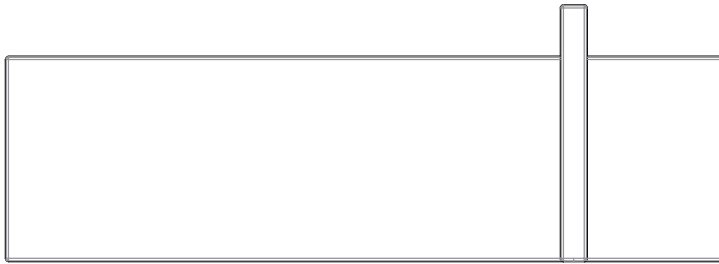
Fixtures

By means of a stainless steel threaded rod to the floor.

Technical Specifications



Measurements in centimetres (cm)







The creation of the bench will depend on the buyer's choice, as the versatility it has is tremendously wide in terms of shapes and materials.

Thanks to the fine, straight lines, in any of the options chosen, the result is a sober bench, with pure lines and which will transmit the feelings intended by the buyer thanks to the choice of material on both sides of the piece in this sinuous bench.

Materials and finishes available

A. Natural stone

Can be made in any natural stone. We recommend to work with national stones because of its disposition and to support the local product. Also a dark stone as the design is challenging and a dark colour stands out more with this idea.




-  Sierra Elvira
-  Arival
-  Verde Almería
-  Piedra del cabezo

B. Concrete

Made in concrete, reinforced with fibers of very high performance and great plasticity, which gives it a great rigidity.

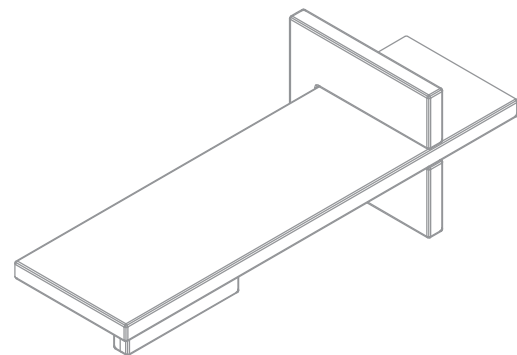
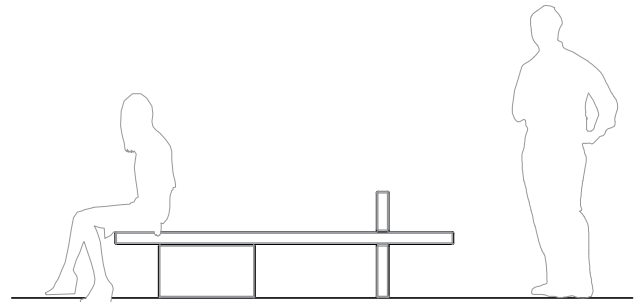
-  Grey
-  White

C. Plexiglás

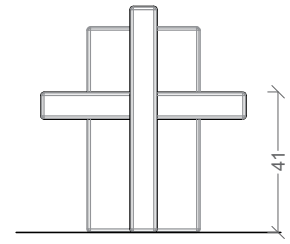
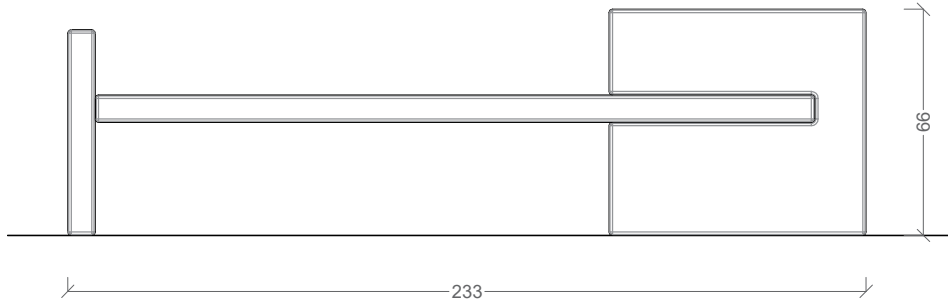
-  Red
-  Yellow
-  Blue

Fixtures

By means of a stainless steel threaded rod to the floor.



Technical Specifications



Measurements in centimetres (cm)



The creation of the bench will depend on the buyer's choice, as the versatility it has is tremendously wide in terms of shapes and materials.

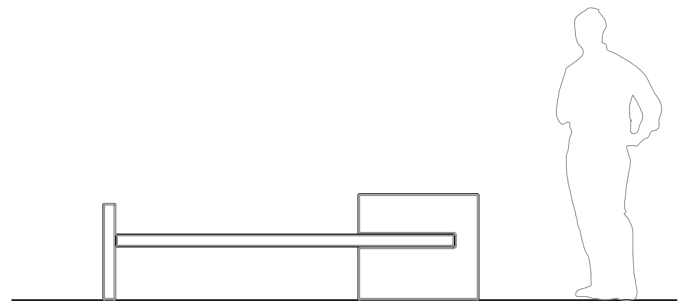
Thanks to the fine, straight lines, in any of the options chosen, the result is a sober bench, with pure lines and which will transmit the feelings intended by the buyer thanks to the choice of material on both sides of the piece in this sinuous bench.

Materials and finishes available

A. Natural stone

Can be made in any natural stone. We recommend to work with national stones because of its disposition and to support the local product. Also a dark stone as the design is challenging and a dark colour stands out more with this idea.

-  Sierra Elvira
-  Arival
-  Verde Almería
-  Piedra del cabezo






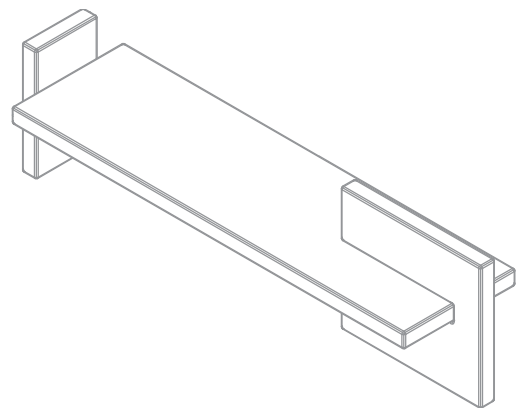
B. Concrete

Made in concrete, reinforced with fibers of very high performance and great plasticity, which gives it a great rigidity.

-  Grey
-  White

C. Plexiglás

-  Red
-  Yellow
-  Blue



Fixtures

By means of a stainless steel threaded rod to the floor.